

PV-TUNEL-R

EN

Inverted "U" type cane trimmer for vineyards and hedges



VITI



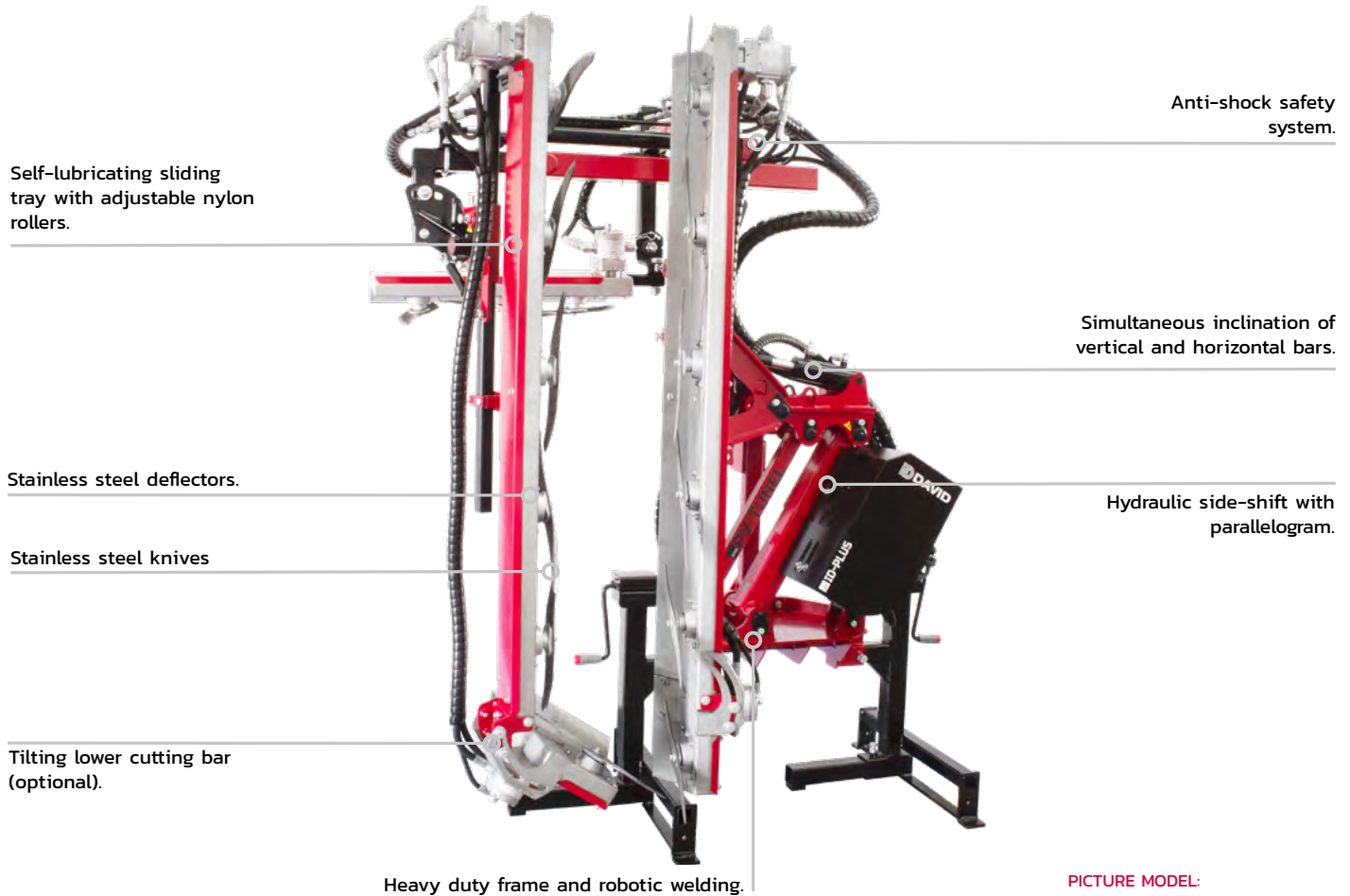
SETO

 **DAVID**

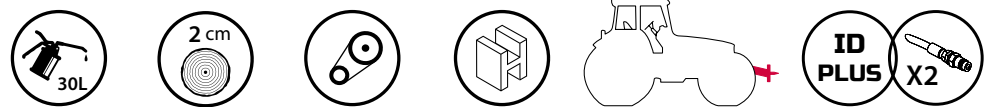
PV-TUNEL-R



Inverted "U" type cane trimmer for vineyards and hedges. Designed to keep canopy growth under control in a full row formed on slopes or hills. It allows high working speeds, a clean cut, low maintenance and excellent vision from the cab.



PICTURE MODEL:
PV-R-TU-1710 + MCA-P



Versatility

- The ID-CONTROL joystick allows to control all the machines manufactured by ID David and equipped with the ID-PLUS or ID-MICRO technology.
- Models adjustable to any kind of plantation system.

Exclusivity

- Exclusive blade design that guarantees a perfect cut.

Effectiveness

- It allows a working speed up to 15 km/h.
- Electrohydraulic system optimized for extremely low power consumption.

Reliability

- Components and materials of high quality.
- Low maintenance (no needs of lubrication in its key parts).
- Cutting elements supported by years of experience in the market.
- Manufacturing experience since 1975.

Safety

- Power transmission to the blades through maintenance-free V-belts.

Sustainability

- An optimal cut improves ventilation and plant health by reducing the use of phytosanitary products.
- The low power required allows the use of small tractors with a lower carbon footprint.
- Sustainable consumption: Equipment designed to be up-to-date and have a long service life.

De serie

- Anti-shock safety system.
- Sliding tray "no grease" with adjustable nylon wheels.
- Hydraulic lifting.
- Complete cutting set hydraulic inclination.
- Hydraulic parallelogram lateral displacement.
- Stainless steel blade cutting bars.
- Hydraulic adjustment between vertical cutting bars.
- Manual adjustment of both angle of incidence and tilting of the cutting bars.
- Storage foot.
- Adaptable standard plate to tractor (frontal).
- Lateral support rods.

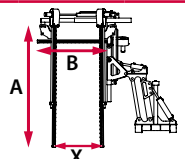
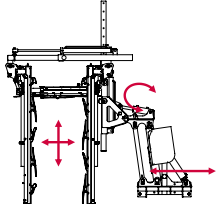
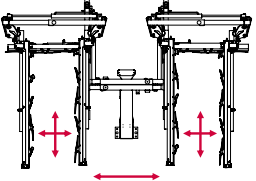
Remote control type

ID-PLUS



- It includes ID-CONTROL multifunction joystick.
- Includes an electronic microcontroller: allows software updates at any time.
- Up to 2 additional electro-hydraulic functions.
- Includes a modular electro-hydraulic system: it allows to increase the number of electro-hydraulic functions.

ID-MICRO

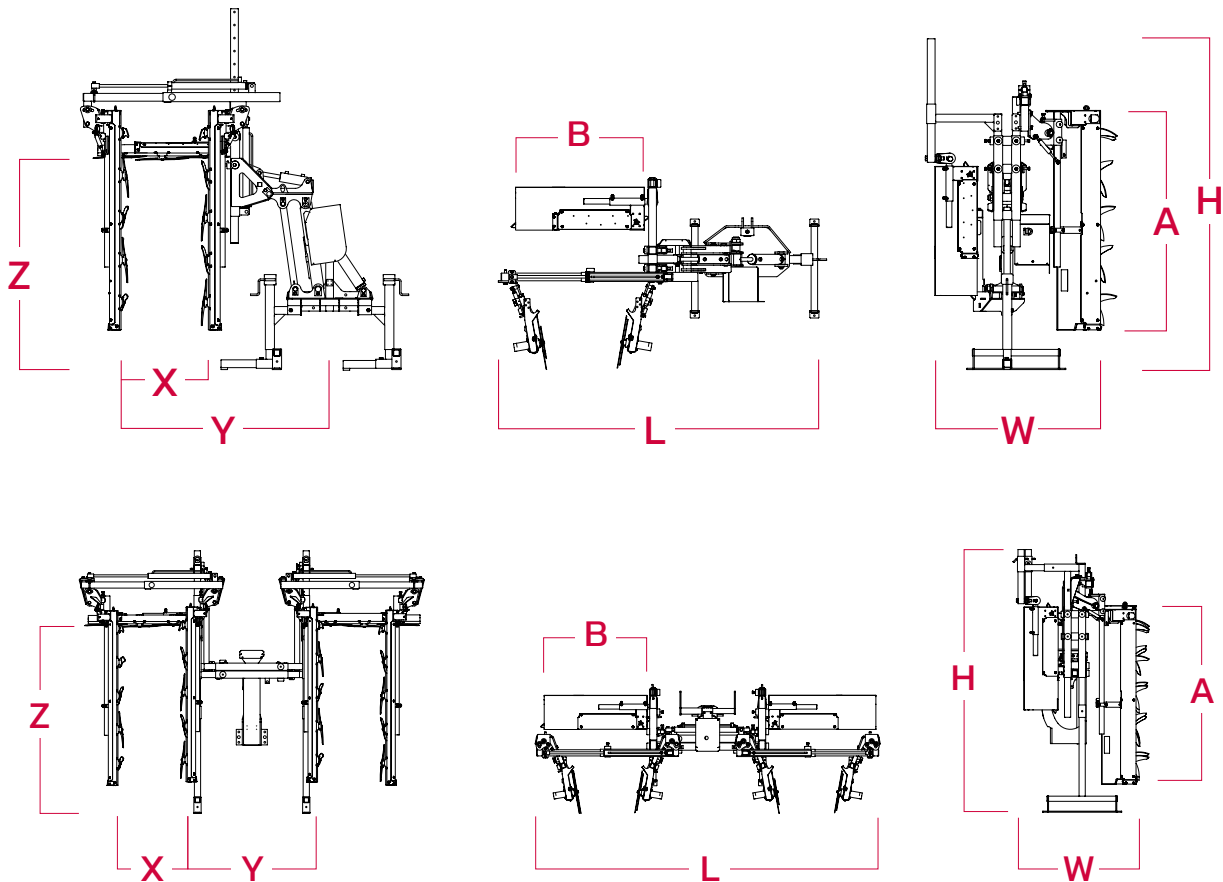
- ! Not included the ID-CONTROL multifunction joystick.
- Only for customers who already have the ID-CONTROL multifunction joystick.
- Includes an electronic microcontroller: allows software updates at any time.
- Up to 2 additional electro-hydraulic functions.
- Includes a modular electro-hydraulic system: it allows to increase the number of electro-hydraulic functions.

| | ID-PLUS | ID-MICRO |  | | |
|---|-----------------|-----------------|--|-------|-----------|
| | REF. | REF. | A (m) | B (m) | X (m) |
| PV-TUNEL-R TUNNEL CANE TRIMMER  CUTTING ,EXTENSION, TURNING, LIFTING, SIDE SPLITTING OF THE CUTTING BARS | PV-R-TU-1710-1 | PV-R-TU-1710-2 | 1,70 | 0,90 | 0,10-0,90 |
| DOUBLE ROWS CANE TRIMMER  CUTTING, EXTENSION, INDEPENDENT LIFTING OF THE MODULES, LATERAL SEPARATION OF CUTTER BARS | PV-R-2TU-1710-1 | PV-R-2TU-1710-2 | 1,70 | 0,90 | 0,10-0,90 |

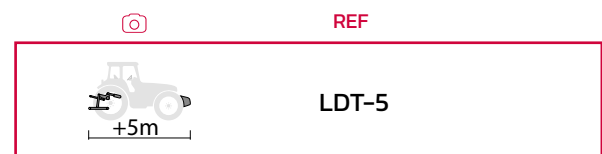
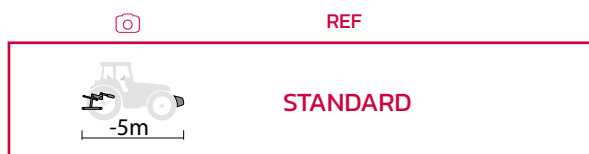
Technical details

| | REF. | X | Y | Z | A | B |  |  | L | W | H |
|---------------------------------|---------------|------------|-----------|-----------|------|------|---|---|------|------|------|
| PV-TUNEL-R | | m | m | m | m | m | kg | HP | m | m | m |
| ONE ROW CANE TRIMMER | PV-R-TU-1710 | 0,10-0,90* | 0,70-2,00 | 1,25-2,70 | 1,70 | 0,90 | 450 | 65 | 1,70 | 1,30 | 2,30 |
| DOUBLE ROWS CANE TRIMMER | PV-R-2TU-1710 | 0,10-0,90* | 1,30-2,30 | 1,70-2,65 | 1,70 | 0,90 | 700 | 55 | 2,30 | 1,20 | 2,30 |

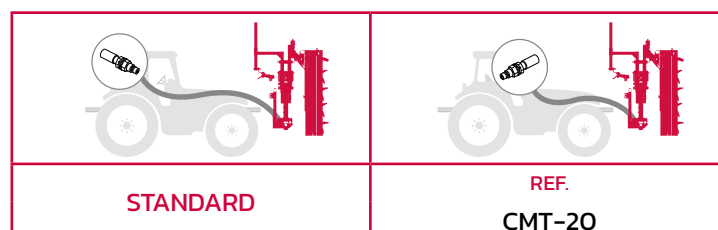
* by means of extra manual regulation of U-shaped clamp.



Tractor mounting



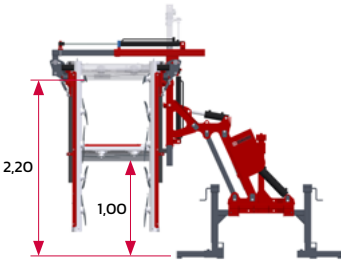
Tractor connection and assembling





* 3PH and tractor assembly plate not included.

Basic kit to be adapted to new equipments - option


Optional package Recommended for use on high density almond trees

| 📷 | OBSERVATIONS | REF. |
|--|--|---|
|  | <p>Independent lifting of the horizontal cutting bar.</p> <p>*Only for model PV-R-TU-1710 (new machine).</p> | <p>available for ID-PLUS and ID-MICRO</p> <p>POR-18</p> |


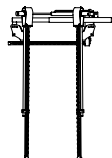




Connectivity and telemetry Accessories and Options

| 📷 | DESCRIPTION | OBSERVATIONS | REF. |
|--|---|---|---------|
|  | <p>Visualization and telematics monitoring pack</p> <p>*Only available for new machine with ID-PLUS</p> |  <p>PRO hydraulic power pack + oil cooler required</p> | FPRO-03 |
| | | <p>Only suitable for machines using power from the tractor, without CH.</p> | FPRO-04 |

Pre-installations and updates Accessories and Options

| 📷 | DESCRIPTION | OBSERVATIONS | REF. |
|--|-------------------|--|----------|
|  | CAN compatibility | <p>Only available for machine with oil cooler It allows the remote control compatible with machines that have CAN as standard.</p> | C-CAN-01 |

Cane trimmer Accessories and Options

| 📷 | DESCRIPTION | OBSERVATIONS | REF. |
|--|---|---|------------|
|  | <p>26 Lt Hydraulic power unit type PRO + 35lt pump+ oil cooler</p> | Adaptable to 3 PT | CPRO-1-T |
|  | <p>Kit of reciprocating cutting bars 1.75m vertical and 1m horizontal</p> | <p>Flat Face couplings kit for easy connection/disconnection</p> | KIT-ALM- D |
| | <p>*Special for winter cutting in HD Almond</p> | | KIT-ALM- P |
|  | <p>Pair of additional cutting bars (1 blade)</p> | <p>Inclination adjustment 0°/30</p> | MCA-P |
| | <p>* Not available for PV-R-2TU-1710</p> | | |
|  | 3-point coupling kit | <p>Front 3P or reversible tractor</p> | T2P-10 |
|  | Plate for front tractor coupling | <p>It will be supplied only if the corresponding form has been correctly filled out</p> | PA-F |
|  | Packaging | Basic | EMB-1 |
| | | Airfreight- oceanfreight | EMB-2 |

Inherent in our DNA

We use technology to create technology.
Our commitment to the digitization and versatility of our equipment has led to the creation of our exclusive ID PLUS system which allows the control of all ID machines through a simple Plug & Play Joystick.



INDUSTRIAS DAVID S.L.U.
C/ Médico Miguel Lucas s/n
CP: 30510, Yecla, Murcia-Spain
Tel.: +34 968 718 119
info@id-david.com

Connect with us.
[instagram.com/iddavid_official](https://www.instagram.com/iddavid_official)
twitter.com/IDdavidslu
[facebook.com/industriasdavid](https://www.facebook.com/industriasdavid)
[linkedin.com/company/id-david](https://www.linkedin.com/company/id-david)
[youtube.com/industriasdavid](https://www.youtube.com/industriasdavid)

www.id-david.com

